



CAPTURE ARMS, BLOWERS & EXTENSION BOOMS

Diversi-Tech's Capture Arm is designed for permanent installation which removes fumes, smoke and other fine grain dust from the work area. The arm can work independently using a single fan, grouped together and ducted to a centralized ventilation system, or mounted on a portable fume extractor. The structure of each arm includes a pick-up hood, flexible hoses and a swivel mounting base. The easy rotational movement of the arm provides a safe and more productive environment for workers.



Hanging Capture Arm



FRED™ 01
with Standing
Capture Arm

FEATURES:

- Available with Motor and Fan
- Up to 23 Ft. Operating Reach w/Boom
- Single or Three Phase Motor
- Easy To Install
- Complies With OSHA Regulations

OPTIONS:

- Extension Boom - 5 or 10 Ft. Long
- Blower (1500 CFM or 2500 CFM)
- Wall Mount Bracket
- 10 FT or 13 FT Capture Arm
- Fume Tracker Arm (Automatic Tracking)

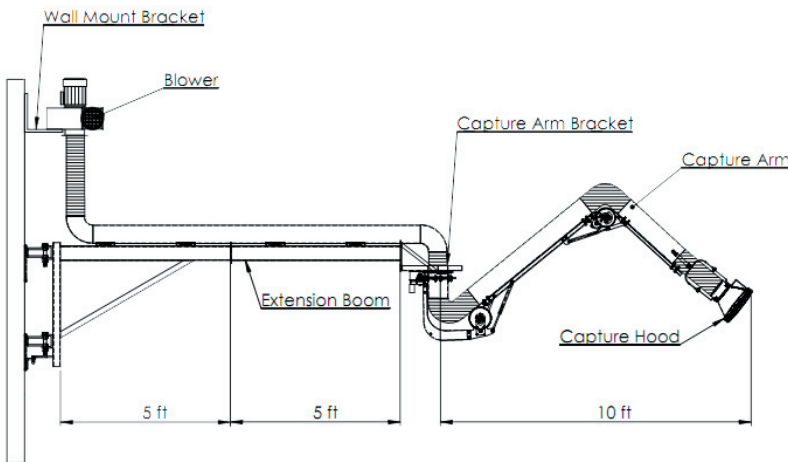


How The Capture Arm Works

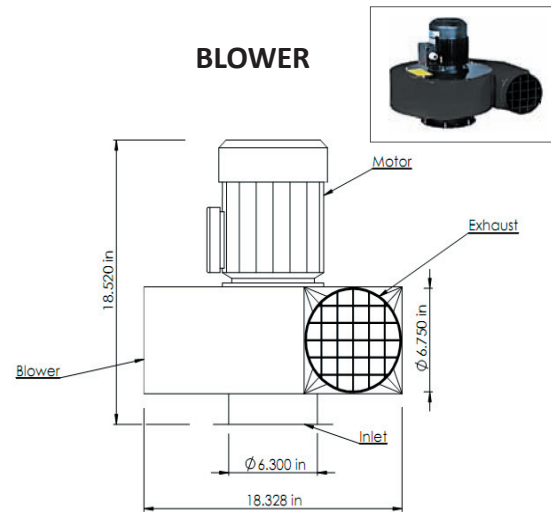
The extraction arm is designed to remove smoke and fumes at source. The contamination can be exhausted or sent to a filtration unit. The standard extraction arm consists of a rotational supporting head, two steel segments, flexible pipe fittings, stiffening sections of aluminum terminated in the frictional articulations and the gas spring for balancing of the arms weight.

PART NO	DESCRIPTION	SPECS
CA-7-10 (13)-H	Hanging Arm	7" Dia. x 10' or 13' Long with Capture Hood
CA-7-10 (13)-S	Standing Arm	7" Dia. x 10' or 13' Long with Capture Hood
BOOM-7-5 (10)	Extension Booms	7" Dia x 5' or 10' Long with Wall Mount Bracket
BR-1-5	Blower	1500 CFM 1.5HP (110/1/60 or 50 Hz)
BR-3	Blower	2500 CFM 3.0HP (208-220/460/575v/3/60 or 50 Hz)
CA-WMB	Wall Mount Bracket	Available for Hanging Arms & Booms
CA-7-10 (13)-H (S) - T	Fume Tracker (Optional)	Same specs as above available

EXTENSION BOOM & BLOWER



BLOWER



Manufactured By
DIVERSI-TECH inc.

Montreal / Canada
Tel. 514.631.7300 Fax: 514.631.9480
1.800.361.3733 info@diversitech.ca
www.diversitech.ca