

# HEAVY DUTY LIGHT WEIGHT

---

**GNV-19 is a truly remarkable tool!** You can even operate the tool with one hand. It weighs only 2.4 Kg with needles but has **full power and hardly any vibrations!** With our patented anti-vibration system you can work faster and all day without getting tired. Try it and see why IPT tools continue to be the best choice!

Superior to any other small needle gun available today. Ideal for:

- Rust and paint removal
- Weld scaling and dressing
- Concrete work and general cleaning
- Removal of marine scale and incrustations
- **One hand operation!**

- Low air consumption
- Low noise level



- Easy needle exchange

- Rubber sleeve and grip for comfort

- **Extremely low vibration**

**Unmatched power for its size, extremely low vibration and low weight minimize long term health risks and lowers fatigue.**

#### TECHNICAL DATA (6.3 bar air pressure)

| Model  | Length | Weight | Vibration              | Noise     | Frequency | Air flow | Needles | Hose Conn. | Size Hose |
|--------|--------|--------|------------------------|-----------|-----------|----------|---------|------------|-----------|
| GNV-19 | 272 mm | 2.4 kg | $\leq 2 \text{ m/s}^2$ | 98 dB (A) | 110       | 2.0 l/s  | 19      | 1/4 inch   | 10 mm     |

GNV-19 comes with 127 mm long, 3.2 diam. needles as standard

---

## IPT Technologies AB

Tegeluddsvägen 92, S-115 28 Stockholm

Telephone: +46 8 664 3474 Fax: +46 8 664 2155

# MORE POWER - LESS VIBRATIONS

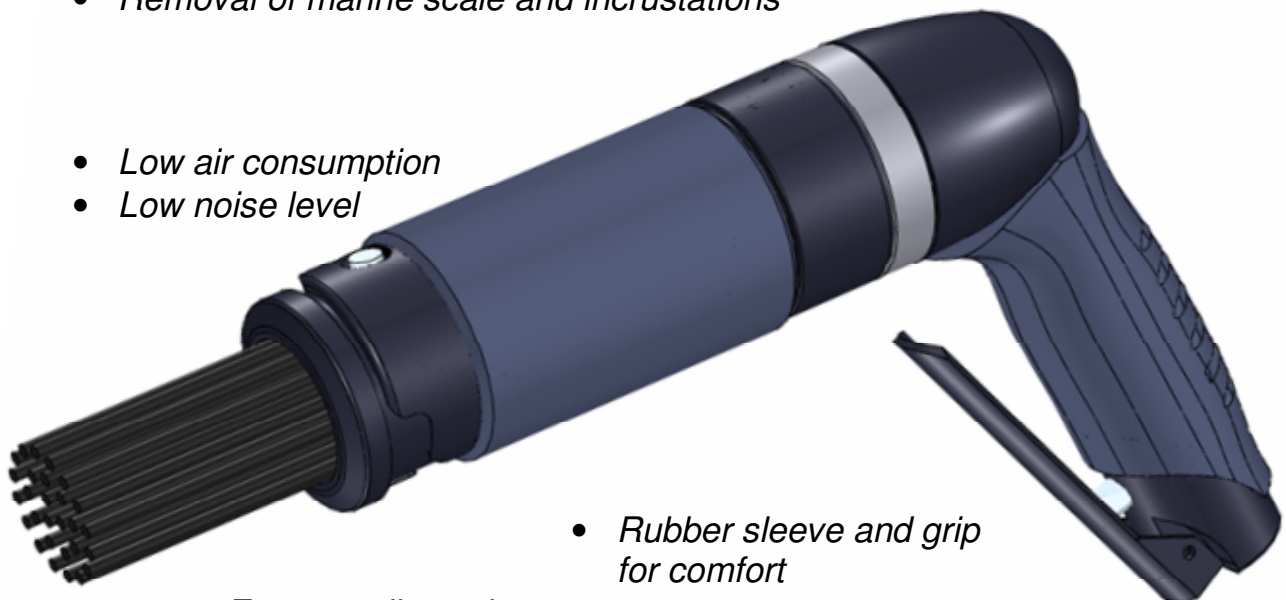
---

**Heavy Duty GNV-28 is superior to any needle gun ever made! We increased power and lowered vibrations at the same time as the tool was made lighter! With our patented anti-vibration system you can work faster and all day without getting tired. Try it and you'll see why IPT tools continue to be the best choice!**

*Superior to any other scaler available today. Ideal for:*

- *Rust and paint removal*
- *Weld scaling and dressing*
- *Concrete work and general cleaning*
- *Removal of marine scale and incrustations*

- *Low air consumption*
- *Low noise level*



- *Easy needle exchange*

- *Rubber sleeve and grip for comfort*

- **Extremely low vibration**

**Unmatched power, extremely low vibration and low weight minimize long term health risks and lowers fatigue.**

#### TECHNICAL DATA (6.3 bar air pressure)

| Model  | Length | Weight  | Vibration                | Noise     | Frequency | Air flow | Needles | Hose Conn. | Size Hose |
|--------|--------|---------|--------------------------|-----------|-----------|----------|---------|------------|-----------|
| GNV-28 | 290 mm | 3.05 kg | $\leq 2.5 \text{ m/s}^2$ | 99 dB (A) | 91 Hz     | 2.2 l/s  | 28      | 1/4 inch   | 10 mm     |

GNV-28 comes with 140 mm long, 3.2 diam. needles as standard

---

## **IPT Technologies AB**

Tegeluddsvägen 92, S-115 28 Stockholm

Telephone: +46 8 664 3474 Fax: +46 8 664 2155

# RECOILLESS NEEDLE SCALER

**Our medium duty needle scaler offers clearly superior ergonomics! The patented anti-vibration system and the high frequency results in very smooth operation and low noise levels. Work longer without getting tired!**

*NRV-95 is ideal for deslagging, rust and paint removal, cleaning, dressing etc. Look at the smooth surface after scaling!*



- Slender and lightweight.
- Excellent penetration into cavities.
- Low noise level and low air consumption.
- Easy needle exchange with bayonet front.

**The extremely low vibration level lowers fatigue and minimizes long term health risks. 80 % or more reduction in vibration compared to conventional designs.**

## SPECIFICATIONS:

Patents Pending

| Model  | Vibration Level    | Blows per min. | Air Cons. | Length* | Weight* | Hose Conn. |
|--------|--------------------|----------------|-----------|---------|---------|------------|
| NRV-95 | ~3m/s <sup>2</sup> | 8,800          | 1.6 l/s   | 310 mm  | 1.95 kg | 1/4"       |

Performance figures are at 6.5 bar air pressure.

\* with needles.

NRV-95 comes with 18 needles (Ø 3 mm, length 125 mm) as standard. 175 mm long needles are also available.

## IPT Technologies AB

Tegeluddsvägen 92  
S-115 28 STOCKHOLM  
SWEDEN  
Telephone +46-8-664 34 74  
Telefax +46-8-664 21 55  
E-mail info@ipt.se

74  
55

Distr. by